

RIKEN

BUILT IN SPECIAL PYROLYZER HIGH SENSITIVITY C₅F₈/C₄F₆/C₃F₆ GAS MONITOR

MODEL FP-260AGZS 〈Patent Pending〉

Measurement for C₅F₈ (Octafluorocyclopentene)
C₄F₆ (Perfluorobutadiene)
C₃F₆ (Hexafluoropropylene)



Features

- Ideal for monitoring semiconductor fab clean rooms
- Ideal for low gas concentration
- Minimal interference from solvents such as Fluorinert and Galden
- Easily Replaceable Plug-in tape cassette
- Cassette tape remainder display included



**RIKEN
FINE**

RIKEN KEIKI

High sensitivity C₅F₈/C₄F₆/C₃F₆ gas monitor ideal

Part Designation

This Model is a highly sensitive C₅F₈/C₄F₆ or C₃F₆ gas monitor which uses a special technique for detecting C₅F₈, C₄F₆ or C₃F₆. The gas stream is pyrolyzed with an internal heater to break down the C₅F₈, C₄F₆ or C₃F₆ into more readily detectable compounds.

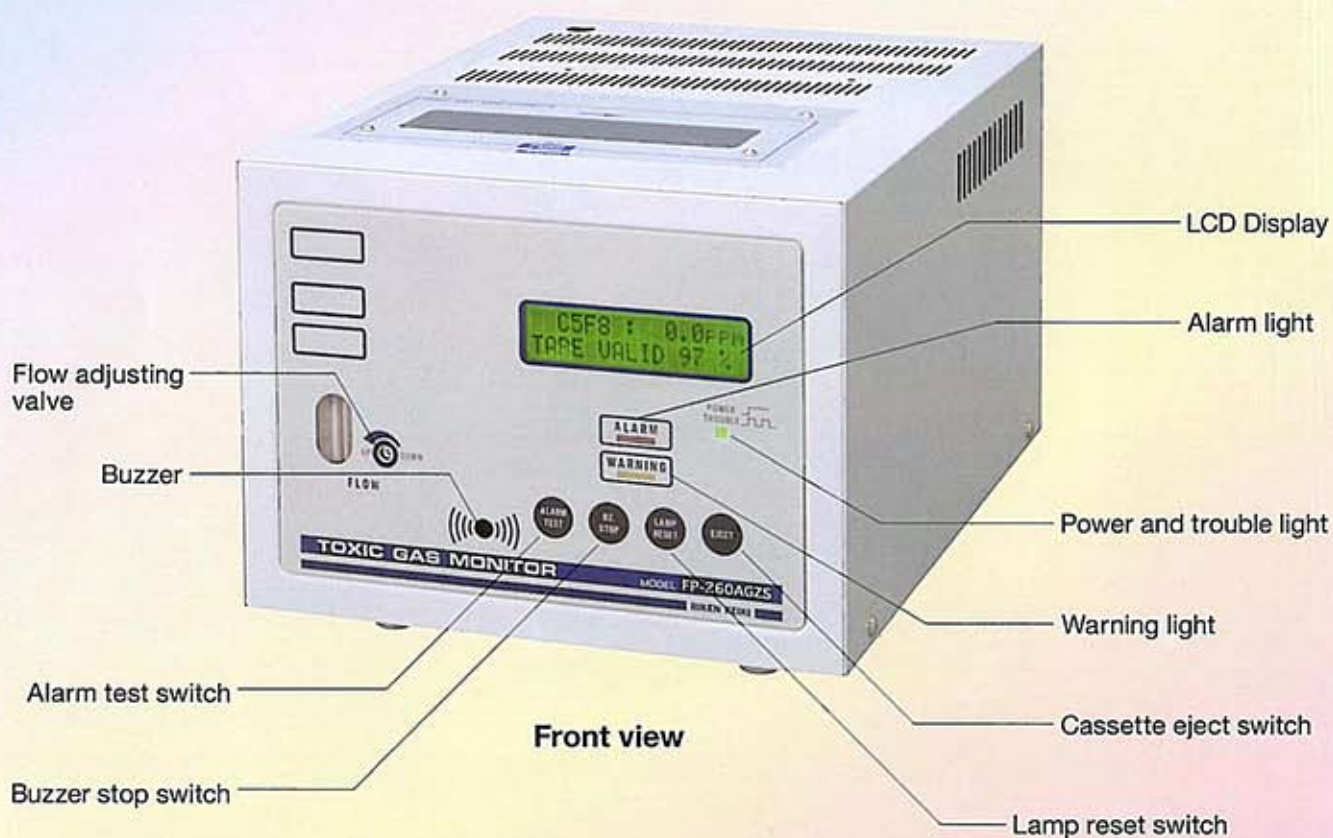
Then, the resulting compounds cause a chemical reaction on a colorimetric tape, and the intensity of the chemical reaction is analyzed and correlated to a specific ppm level of C₅F₈, C₄F₆ or C₃F₆ present in the sample. The detection tape is in a handy cassette which is easily removed for periodic replacement.

Detection of low gas concentration

High sensitivity – detection of low concentration available

Minimal Interference

Minimal interferences from other gases or solvent vapors due to highly specific chemical reaction and specific pyrolyzer.



Detectable gases

Detection gas/chemical formula	Range	Resolution	Warning	Alarm	Detection cycle	Cassette tape
Octafluorocyclopentene (C ₅ F ₈)	0~5.0ppm	0.1ppm	2.0ppm	4.0ppm	20 sec	FV-017
Perfluorobutadiene (C ₄ F ₆)	0~5.0ppm	0.1ppm	2.0ppm	4.0ppm	20 sec	FV-017
Hexafluoropropylene (C ₃ F ₆)	0~3.0ppm	0.1ppm	0.9ppm	2.0ppm	20 sec	FV-117

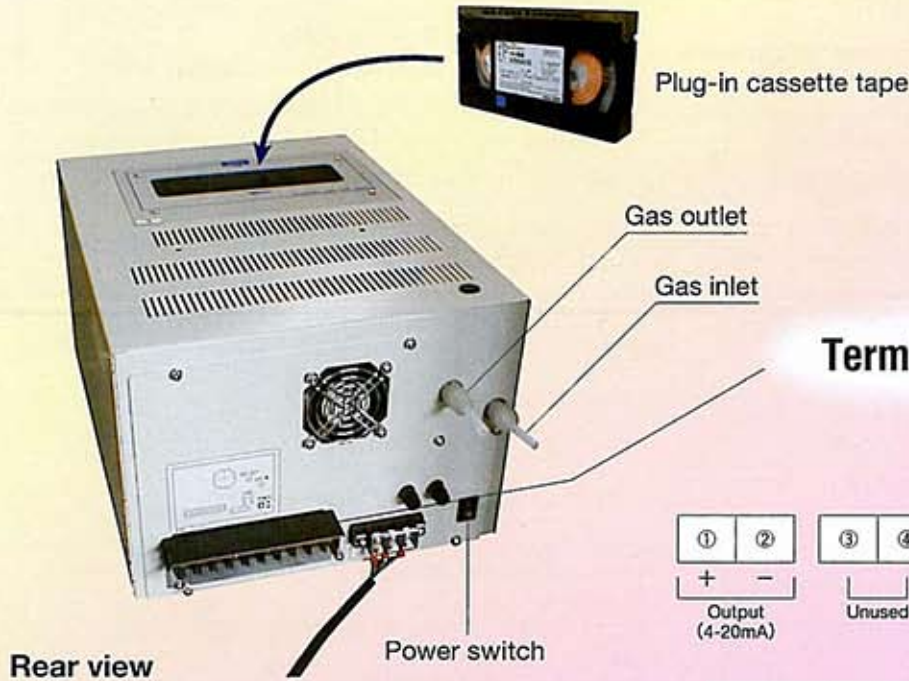
for low ppm gas detection MODEL FP-260AGZS

Tape remainder display function

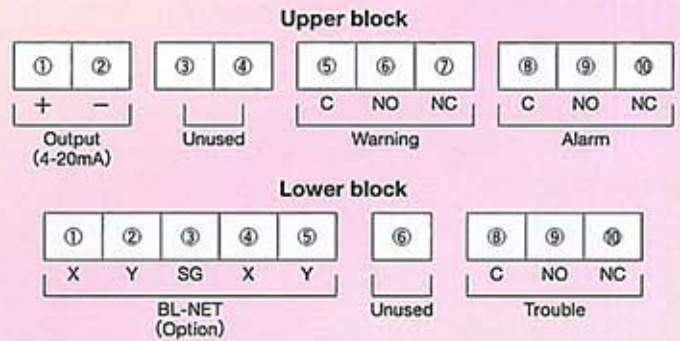
Tape replacement period can be checked at a glance with tape remainder display

Tape cassette

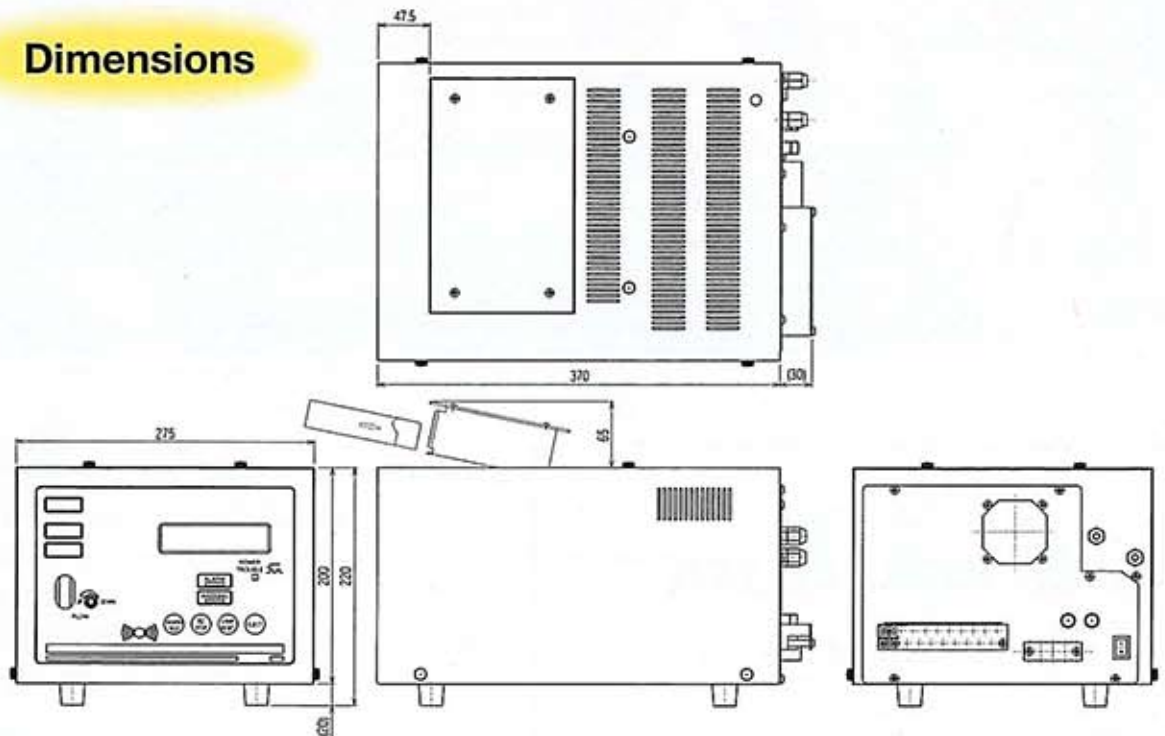
Easy VCR style cassette-type tape assures simple, fast replacement



Terminal connections



Dimensions



MODEL
FP-260AGZS
 Specifications

Model	FP-260AGZS
Structure	Desk top type, transportable
Detection principle	Special pyrolyzer + photoelectric photometry method
Detection tape	Plug-in cassette type
Measuring gas and range	C ₂ F ₆ : 0~5.0ppm C ₂ F ₄ : 0~5.0ppm
Detection cycle	20 seconds
Operating time for cassette tape	1 month (for gas free condition) Design includes tape remainder display and caution display for end of tape.
Sampling method	Automatic sampling (1 l/min) with internal pump
Warm up time	Approx 20 minutes
Gas concentration readout	Direct reading with digital display
Alarm preset levels	C ₂ F ₆Warning : 2.0ppm, Alarm : 4.0ppm C ₂ F ₄Warning : 2.0ppm, Alarm : 4.0ppm
Alarm accuracy	Better than $\pm 30\% + 1$ digit of alarm setting value at constant condition
Alarm display	Warning : Blinking yellow light (steady light after reset) Alarm : Blinking red light (steady light after reset)
Relay contacts	Latched mode (standard) or non-latched mode (optional). Form C (dry ccontacts) for both warning and alarm. Rated 0.5A at 125VAC.
Self-diagnosis	Sensor failure, Flow failure, Tape cut, Tape cassette replacement, Tape end, Tape failure, Tape set failure, System trouble, Motor trouble. Output : Form C, dry contacts. non-latched mode, rated 0.5A at 125VAC.
Output signal	* 4-20mA DC (0-1V DC optional) * BL-NET (optional)
Operating temperature & humidity	10~35°C 30~60%RH (Non-condensing)
Gas inlet	Outer diameter : 6mm ϕ , with fitting for PTFE tubing
Power requirement	100VAC, 110VAC, 115VAC, 220VAC (80VA)
Outer dimensions	Approx. 275(W)X220(H)X370(D) mm
Weight	Approx. 12 kg
Standard accessories	Gas detection cassette tape, Dust filter, Fuse (3A)

Specifications subject to change without notice



ETA Associates

119 Foster Street, Bldg #6 • Peabody, MA 01960
 Tel: (978) 532-1330 • Fax: (978) 532 7325
 www.ETAassociates.com • eta@ETAassociates.com